

THE URBAN ELECTRIC C<sup>o</sup>.



QUAD ARM BELDI



# QUAD ARM BELDI

HANG REGULAR - METAL

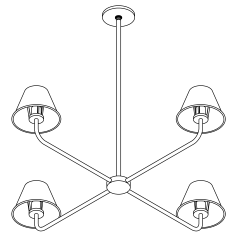
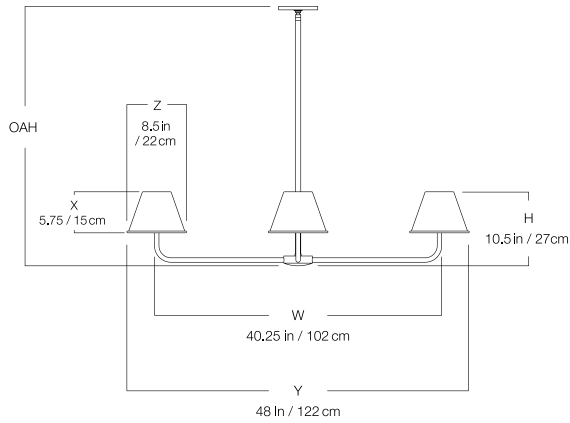
NK-1970HR

## DIMENSIONS

Width	40.25in
Height	10.5in
X	5.75in
Y	48in
Z	8.5in

## MOUNTING

Recommended Installers	2
Weight	22lbs
Canopy	5.5in dia
Junction Box	4in oct/rnd



## LAMP / WIRING

Max Wattage (4) 60W S  
Ships with complimentary LED bulbs

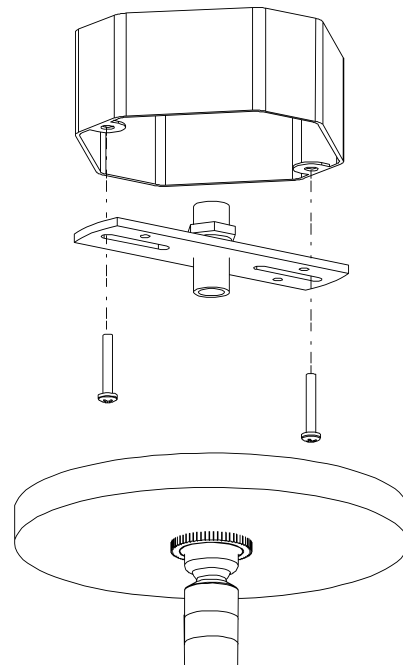


## RATING

Suitable for DAMP locations



UL Listed



# QUAD ARM BELDI

HANG REGULAR - LINEN

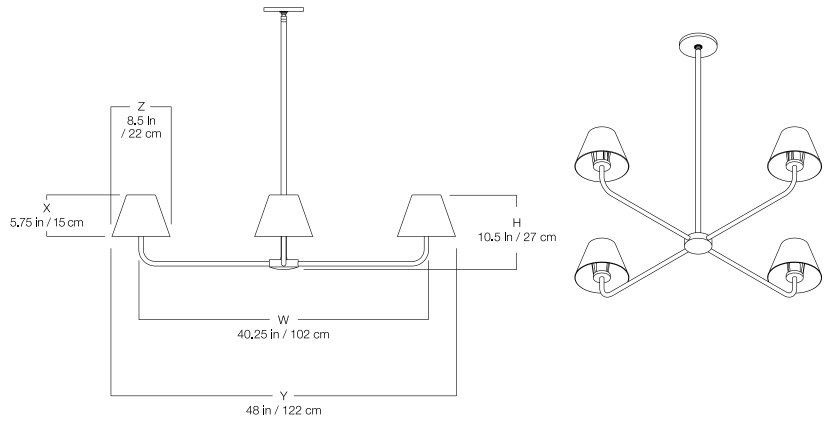
NK-1971HR

## DIMENSIONS

Width	40.25in
Height	10.5in
X	5.75in
Y	48in
Z	8.5in

## MOUNTING

Recommended Installers	2
Weight	22lbs
Canopy	5.5in dia
Junction Box	4in oct/rnd



## LAMP / WIRING

Max Wattage (4) 60W S  
Ships with complimentary LED bulbs



## RATING

Suitable for DAMP locations  
UL Listed

