

THE URBAN ELECTRIC C<sup>o</sup>.



DOUBLE ARM BELDI



# DOUBLE ARM BELDI

HANG REGULAR - METAL

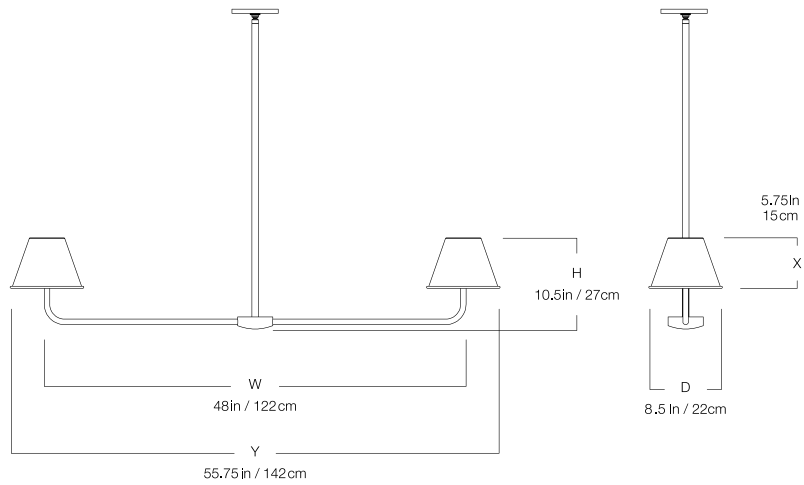
NK-1331HR

## DIMENSIONS

Width	48in
Height	10.5in
Depth	8.5in
X	5.75in
Y	55.75in

## MOUNTING

Recommended Installers	2
Weight	10lbs
Canopy	5.5in dia
Junction Box	4in oct/rnd



## LAMP / WIRING

Max Wattage (2) 60W S  
Ships with complimentary LED bulbs

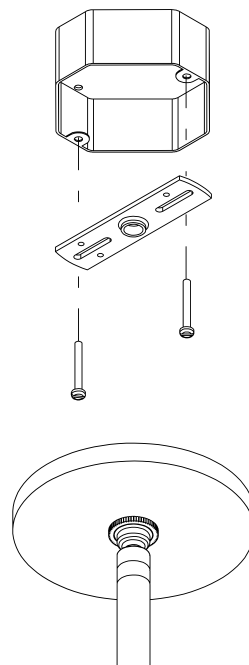


## RATING

Suitable for DAMP locations



UL Listed



# DOUBLE ARM BELDI

HANG REGULAR - LINEN

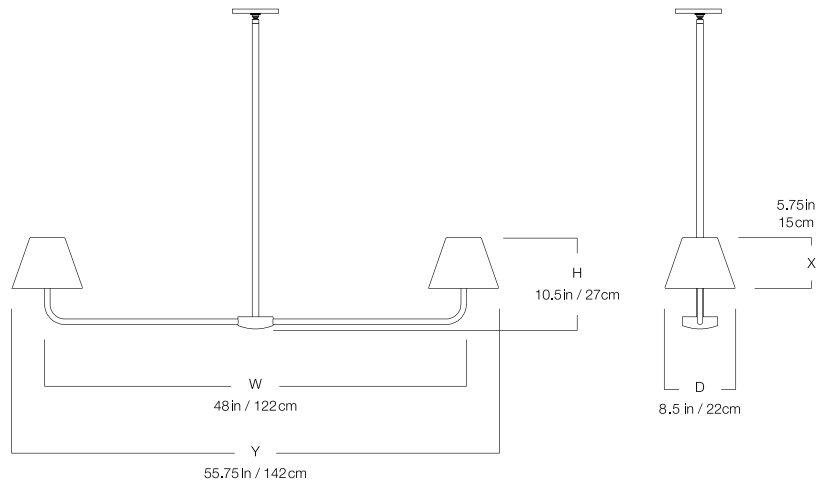
NK-1332HR

## DIMENSIONS

Width	48in
Height	10.5in
Depth	8.5in
X	5.75in
Y	55.75in

## MOUNTING

Recommended Installers	2
Weight	10lbs
Canopy	5.5in dia
Junction Box	4in oct/rnd



## LAMP / WIRING

Max Wattage (2) 60W S  
Ships with complimentary LED bulbs

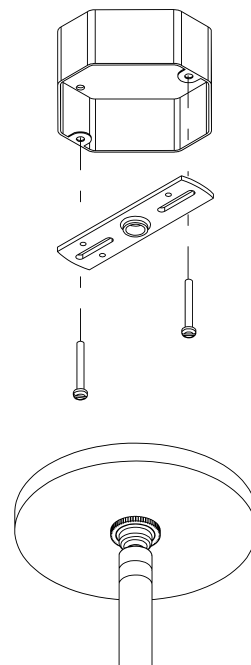


## RATING

Suitable for DAMP locations



UL Listed



# DOUBLE ARM BELDI

HANG LARGE - METAL

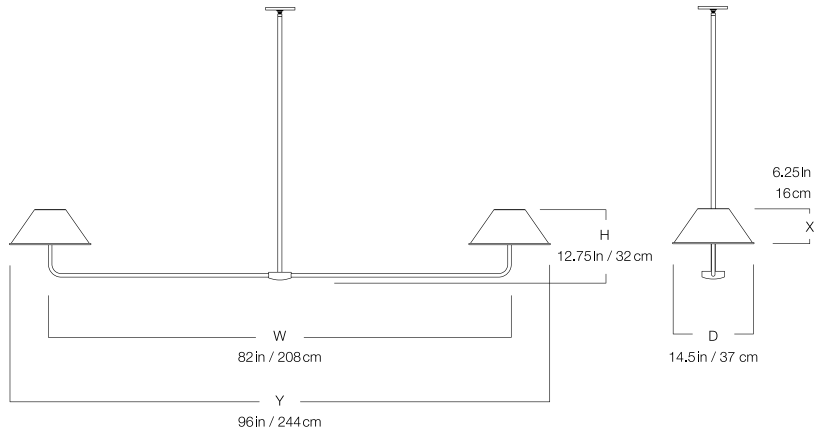
NK-1331HL

## DIMENSIONS

Width	82in
Height	12.75in
Depth	14.5in
X	6.25in
Y	96in

## MOUNTING

Recommended Installers	2
Weight	13lbs
Canopy	5.5in dia
Junction Box	4in oct/rnd



## LAMP / WIRING

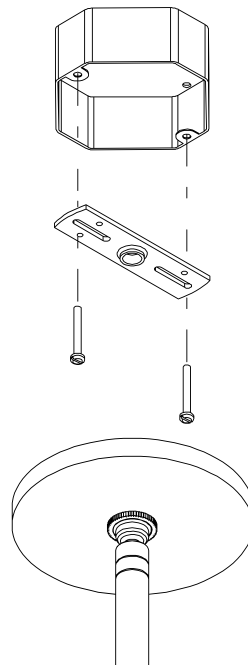
Max Wattage (2) 60W S  
Ships with complimentary LED bulbs



## RATING

Suitable for DAMP locations

UL Listed



# DOUBLE ARM BELDI

HANG LARGE - LINEN

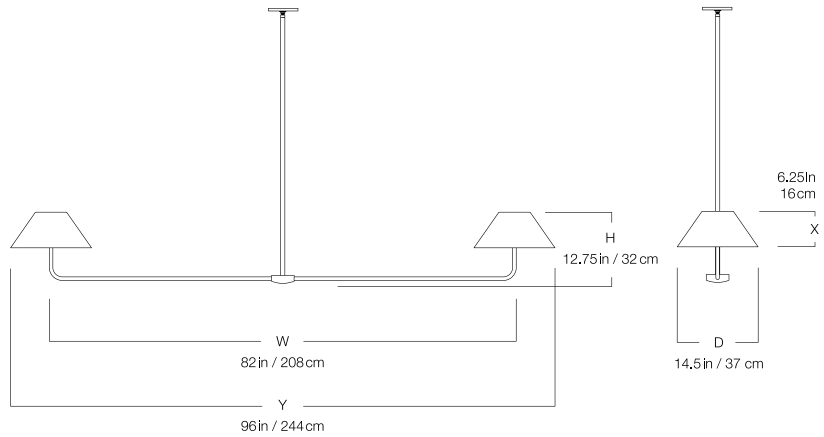
NK-1332HL

## DIMENSIONS

Width	82in
Height	12.75in
Depth	14.5in
X	6.25in
Y	96in

## MOUNTING

Recommended Installers	2
Weight	13lbs
Canopy	5.5in dia
Junction Box	4in oct/rnd



## LAMP / WIRING

Max Wattage (2) 60W S  
Ships with complimentary LED bulbs



## RATING

Suitable for DAMP locations

UL Listed

